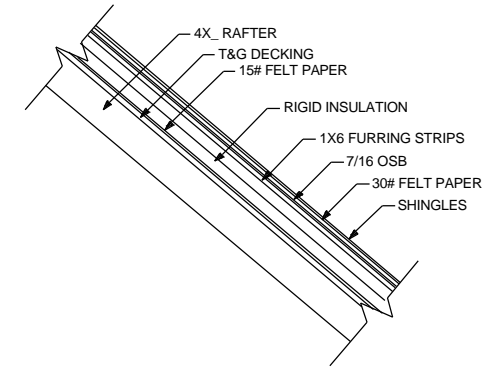
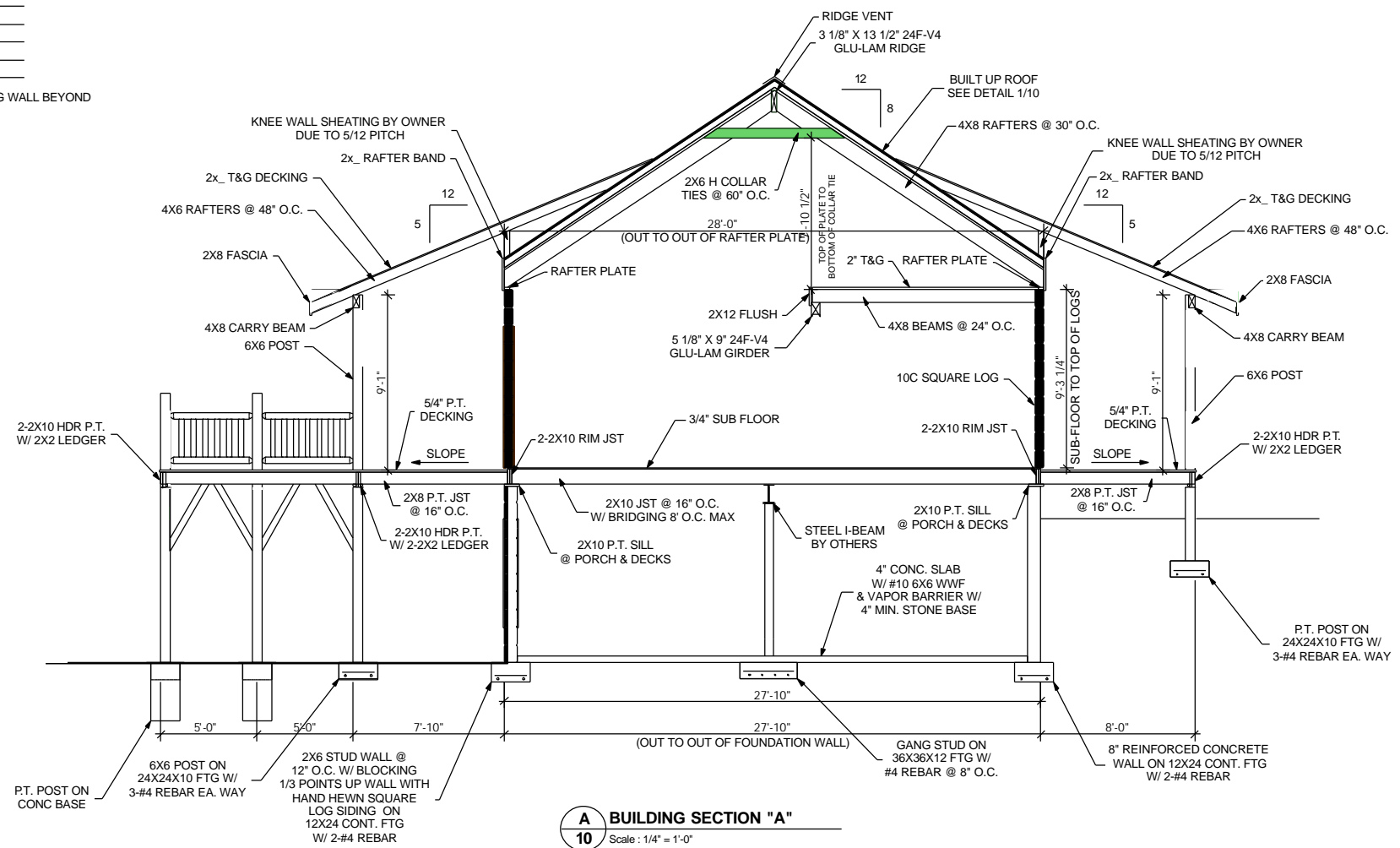


B BUILDING SECTION "B"
 10 Scale : 1/4" = 1'-0"



1 BUILT-UP ROOF DETAIL
 10 Scale : 3/4" = 1'-0"



A BUILDING SECTION "A"
 10 Scale : 1/4" = 1'-0"