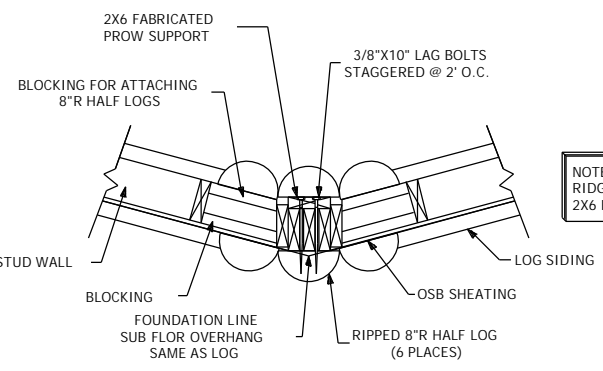


**1st FLOOR PLAN**  
Scale = 1:50

WINDOW SCHEDULE				
I.D.	Manufacturer	Description	Rough Opening	JBLs R.O. in Log Wall
A	By others			
B	By others			
C	By others			
D	By others			
E	By others			
F	By others			

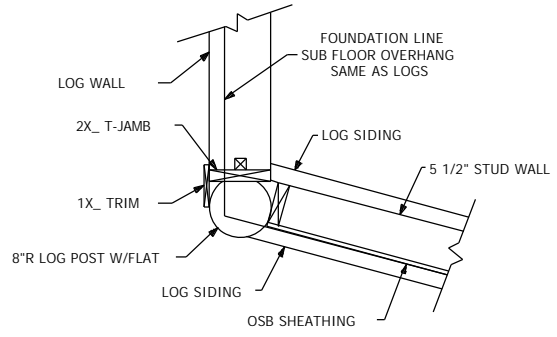
Door schedule				
I.D.	Manufacturer	Description	Rough Opening	JBLs R.O. in Log Wall
1	By others			
2	By others			
3	By others			

**NOTE:**  
BEFORE WE CAN DO YOUR FINAL SET OF PLANS, WE NEED TO KNOW THE ROUGH OPENINGS FOR YOUR WINDOWS & DOORS. WE LEFT A PLACE FOR THIS INFORMATION IN THE DOOR & WINDOW SCHEDULE. PLEASE FILL IN YOUR ROUGH OPENINGS ONLY.



**2 PROW FRONT DETAIL**  
Scale : 1" = 1'-0"

**NOTES:**  
RIDGE ADJUSTMENT AT TOP OF 2X6 FABRICATED PROW SUPPORT



**1 PROW CORNER DETAIL**  
Scale : 1" = 1'-0"