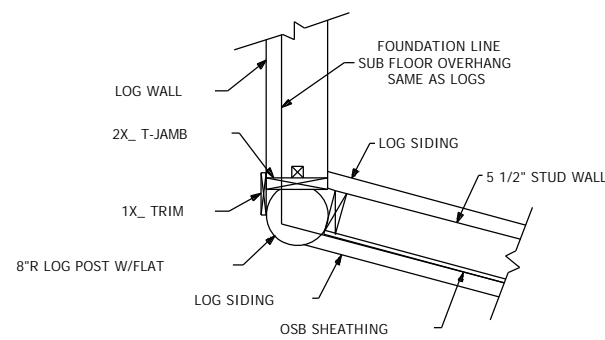


GABLE PLAN

Scale = 1:50



1 PROW CORNER DETAIL

Scale : 1" = 1'-0"

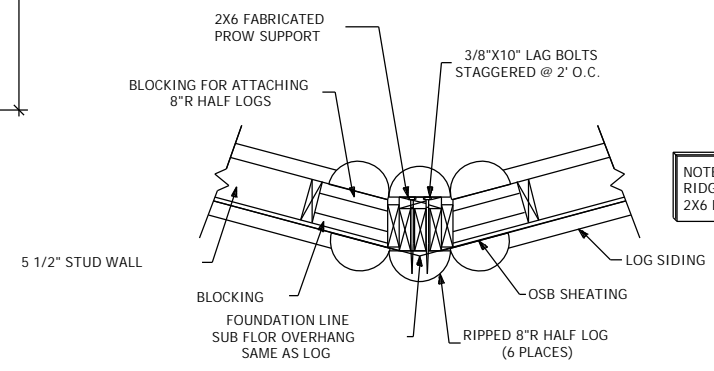
WINDOW SCHEDULE				
I.D.	Manufacturer	Description	Rough Opening	JBLS R.O. in Log Wall
A	By others			
B	By others			
C	By others			
D	By others			
E	By others			
F	By others			

Door schedule				
I.D.	Manufacturer	Description	Rough Opening	JBLS R.O. in Log Wall
1	By others			
2	By others			
3	By others			

NOTE:
ALL TRAP GLASS BY OTHERS

NOTE:
AFTER GABLES HAVE BEEN FRAMED AND/OR ASSEMBLED ALL TRAP GLASS MUST BE FIELD LOCATED AND THE SIZE MUST BE FIELD DETERMINED.

NOTE:
BEFORE WE CAN DO YOUR FINAL SET OF PLANS, WE NEED TO KNOW THE ROUGH OPENINGS FOR YOUR WINDOWS & DOORS. WE LEFT A PLACE FOR THIS INFORMATION IN THE DOOR & WINDOW SCHEDULE. PLEASE FILL IN YOUR ROUGH OPENINGS ONLY.



2 PROW FRONT DETAIL

Scale : 1" = 1'-0"

NOTES:
RIDGE ADJUSTMENT AT TOP OF 2X6 FABRICATED PROW SUPPORT